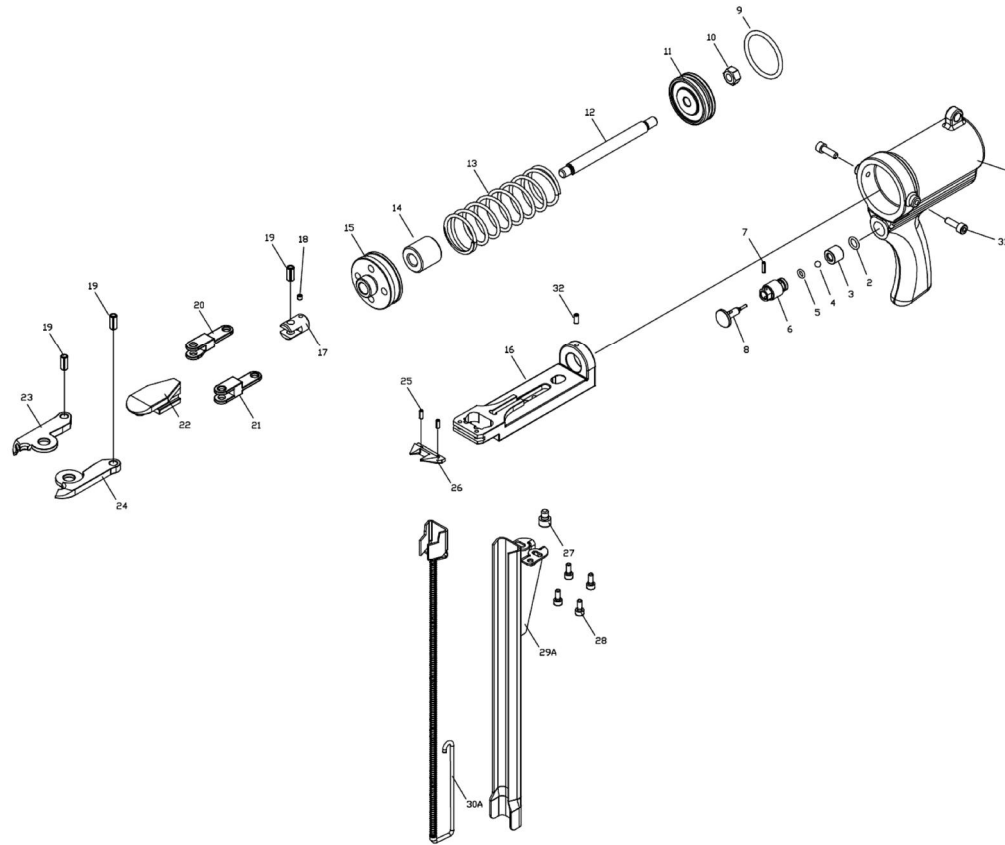


DR203 D-RINGER EXPLODED VIEW



Item	Part No.	Description	Q'ty	Item	Part No.	Description	Q'ty	Item	Part No.	Description	Q'ty
1A	22930602048	Body Assembly	1set	16	22933940066	Jaw Carriage Assembly	1	31	30106140166	Hex. Soc. Hd. Bolt	2
2	30700149000	O-Ring	1	17	22935450001	Joining Piece	1	32	30204080166	Hex. Soc. Hd. Bolt	1
3	22930900000	Valve	1	18	30204040166	Screw	1				
4	31200500000	Steel Ball	1	19	30800002101	Spring Pin	3				
5	30700263000	O-Ring	1	20	22933840066	Right Arm Link	1				
6	22930930001	Plunger Cap	1	21	22933850066	Left Arm Link	1				
7	30825100001	Spring Pin	1	22	22933910066	Slide	1				
8	22930920001	Plunger	1	23	22933820066	Left Jaw	1				
9	30700017000	O-Ring	1	24	22933830066	Right Jaw	1				
10	30608125201	Locknut	1	25	30803080001	Spring Pin	2				
11	22930450000	Piston	1	26	22933930066	Teeth	1				
12	22933960001	Piston Rod	1	27	30106120166	Hex. Soc. Hd. Bolt	1				
13	22933950001	Spring	1	28	30104080166	Hex. Soc. Hd. Bolt	4				
14	22930470015	Bumper	1	29A	22472481102	Magazine Assembly	1set				
15	22931080000	Bottom	1	30A	22474411001	Pusher Assembly	1set				